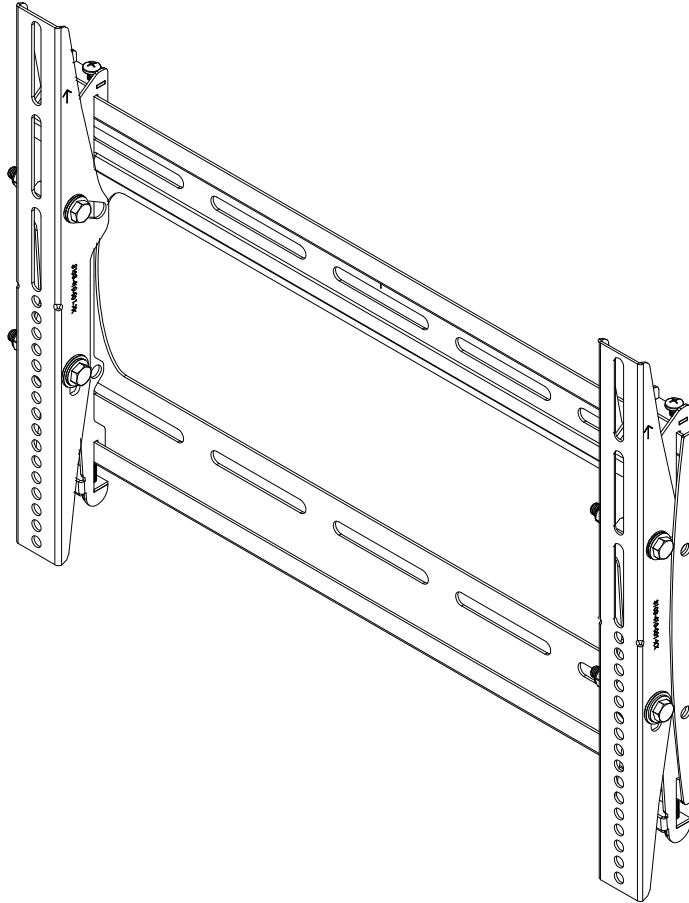


INSTALLATION INSTRUCTIONS



P2642T

Universal Low Profile Tilt Mount for 26" to 42" Flat Panels

NORTH AMERICA

3130 East Miraloma Avenue
Anaheim, CA 92806 USA
USA and Canada
Phone: 1.800.368.9700
Fax: 1.800.832.4888
Other Locations
Phone: (001).714.632.7100
Fax: (001).714.632.1044

EUROPE

Swallow House,
Shilton Industrial Estate,
Shilton, Coventry, England CV79JY
Phone: +44 (0) 2476 614700
Fax: +44 (0) 2476 614710

AUSTRALIA AND OCEANIA

Distributed by Amber Technology Limited
Unit B, 5 Skyline Place
Frenchs Forest NSW 2086
Australia
Phone: +61 2 9452 8600 Sydney Office
Toll Free: 1-800-368-9700
Email: mounts@ambertech.com.au



Contents

- Weight Limit..... 2
- Warning Statements..... 2
- Installation Tools..... 3
- Parts List..... 3
- Mounting Hardware..... 4
- Features..... 5
- Installing the Wall Plate..... 6
 - Introduction..... 6
 - Determining the Mounting Surface..... 6
 - Wood Stud Installation..... 6
 - Concrete Installation..... 8
 - Steel Stud Installation..... 9
- Installing the Mounting Bracket..... 11
 - Selecting the Mounting Hardware..... 11
 - Universal Washer Installation..... 12
 - Universal Spacer Installation..... 12
 - Attaching the Mounting Bracket to the Flat Panel..... 13
 - Attaching the Flat Panel to the Wall Plate..... 13
- Mounting Bracket Adjustments..... 14
 - Leveling Screw Adjustment..... 14
 - Locking Screw Adjustment..... 14
 - Tilt Adjustment..... 14
- Technical Specifications..... 15
- Warranty..... 16

Weight Limit

Maximum Flat Panel Weight: **130 lbs.**

THE WALL STRUCTURE MUST BE CAPABLE OF SUPPORTING AT LEAST FIVE TIMES THE WEIGHT OF THE FLAT PANEL. IF NOT, THE WALL STRUCTURE MUST BE REINFORCED.

Warning Statements



PRIOR TO THE INSTALLATION OF THIS PRODUCT, THE INSTALLATION INSTRUCTIONS MUST BE READ AND COMPLETELY UNDERSTOOD. KEEP THESE INSTALLATION INSTRUCTIONS IN AN EASILY ACCESSIBLE LOCATION FOR FUTURE REFERENCE.



PROPER INSTALLATION PROCEDURE BY A QUALIFIED SERVICE TECHNICIAN MUST BE FOLLOWED, AS OUTLINED IN THESE INSTALLATION INSTRUCTIONS. FAILURE TO DO SO COULD RESULT IN PROPERTY DAMAGE, SERIOUS PERSONAL INJURY, OR EVEN DEATH.



SAFETY MEASURES MUST BE PRACTICED AT ALL TIMES DURING THE ASSEMBLY OF THIS PRODUCT. USE PROPER SAFETY EQUIPMENT AND TOOLS FOR THE ASSEMBLY PROCEDURE TO PREVENT PERSONAL INJURY.



PREMIER MOUNTS DOES NOT WARRANT AGAINST DAMAGE CAUSED BY THE USE OF ANY PREMIER MOUNTS PRODUCT FOR PURPOSES OTHER THAN THOSE FOR WHICH IT WAS DESIGNED OR DAMAGE CAUSED BY UNAUTHORIZED ATTACHMENTS OR MODIFICATIONS, AND IS NOT RESPONSIBLE FOR ANY DAMAGES, CLAIMS, DEMANDS, SUITS, ACTIONS OR CAUSES OF ACTION OF WHATEVER KIND RESULTING FROM, ARISING OUT OF OR IN ANY MANNER RELATING TO ANY SUCH USE, ATTACHMENTS OR MODIFICATIONS.



At least two qualified people should perform the assembly procedure. Personal injury and/or property damage can result from dropping or mishandling the flat panel.



If mounting to wall studs or ceiling studs, make sure that the mounting screws are anchored into the center of the wall studs or ceiling studs. Use of an edge-to-edge stud finder is recommended.



It is recommended that a maximum of 5/8" plaster board be used when mounting to wooden studs.



Be aware of the mounting environment. If drilling and/or cutting into the mounting surface, always make sure that there are no electrical wires in wall. Cutting or drilling into an electrical line may cause serious personal injury.



Make sure there are no water or natural gas lines inside the wall where the mount is to be located. Cutting or drilling into a water or gas line may cause severe property damage or personal injury.



This product is intended for indoor use only. Use of this product outdoors could lead to product failure and/or serious personal injury.



Do not install near sources of high heat. Do not install on a structure that is prone to vibration, movement or chance of impact.




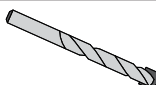


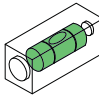
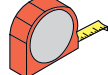
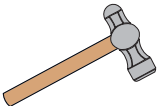

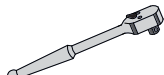
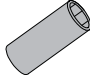
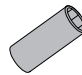



Contact Premier Mounts with any questions:
(800) 368-9700
techsupport@mounts.com



Installation Tools

The following tools may be required, dependent upon your particular installation. These tools are not provided by Premier Mounts, but you can purchase them at your local hardware store.

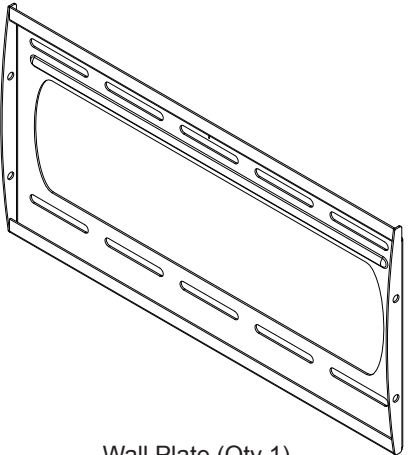
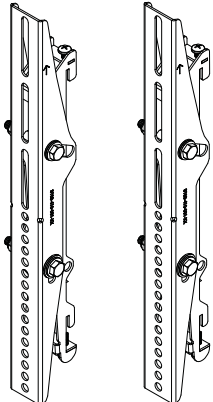
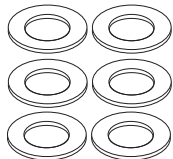
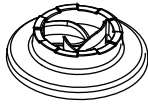
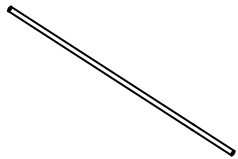
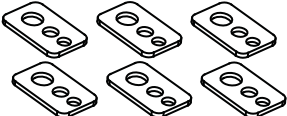
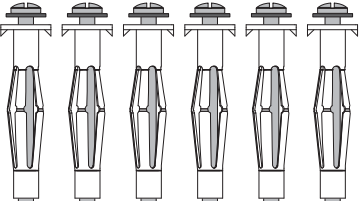
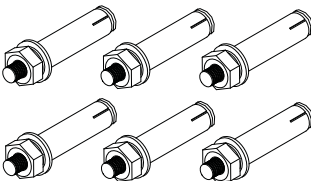
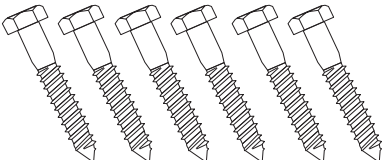
 Electronic Stud Finder	 1/4" Drill Bit for Wood Stud	 7/16" Drill Bit for Steel Stud*	 5/16" Concrete Drill Bit**	 Hand Held Drill
 Pencil	 Level	 Tape Measure		 Hammer**
 Protective Eyewear	 Socket Wrench	 1/2" Socket	 M10 Socket*	 Phillips Tip Screwdriver

* Optional tools for steel stud installations.

** Optional tools for concrete installations.

Parts List

Your Premier Mounts product is shipped with all proper installation hardware and components. Make sure that none of these parts are missing and/or damaged before beginning installation. If there are parts missing and/or damaged, please stop the installation and contact Premier Mounts (800) 368-9700.

P2642T Universal Low Profile Tilt Mount Assembly Components			
 Wall Plate (Qty 1)	 Mounting Brackets (Qty 2)		
 5/16" Flat Washers (Qty 6)	 Universal Spacers (Qty 24)	 Thread Depth Indicator (Qty 1)	 Universal Washers (Qty 6)
ProPack Mounting Hardware			
 M6 Steel Stud Anchors (Qty 6)	 5/16" Concrete Wedge Anchors (Qty 6)	 5/16" x 3" Lag Bolts (Qty 6)	



Parts List (cont'd)

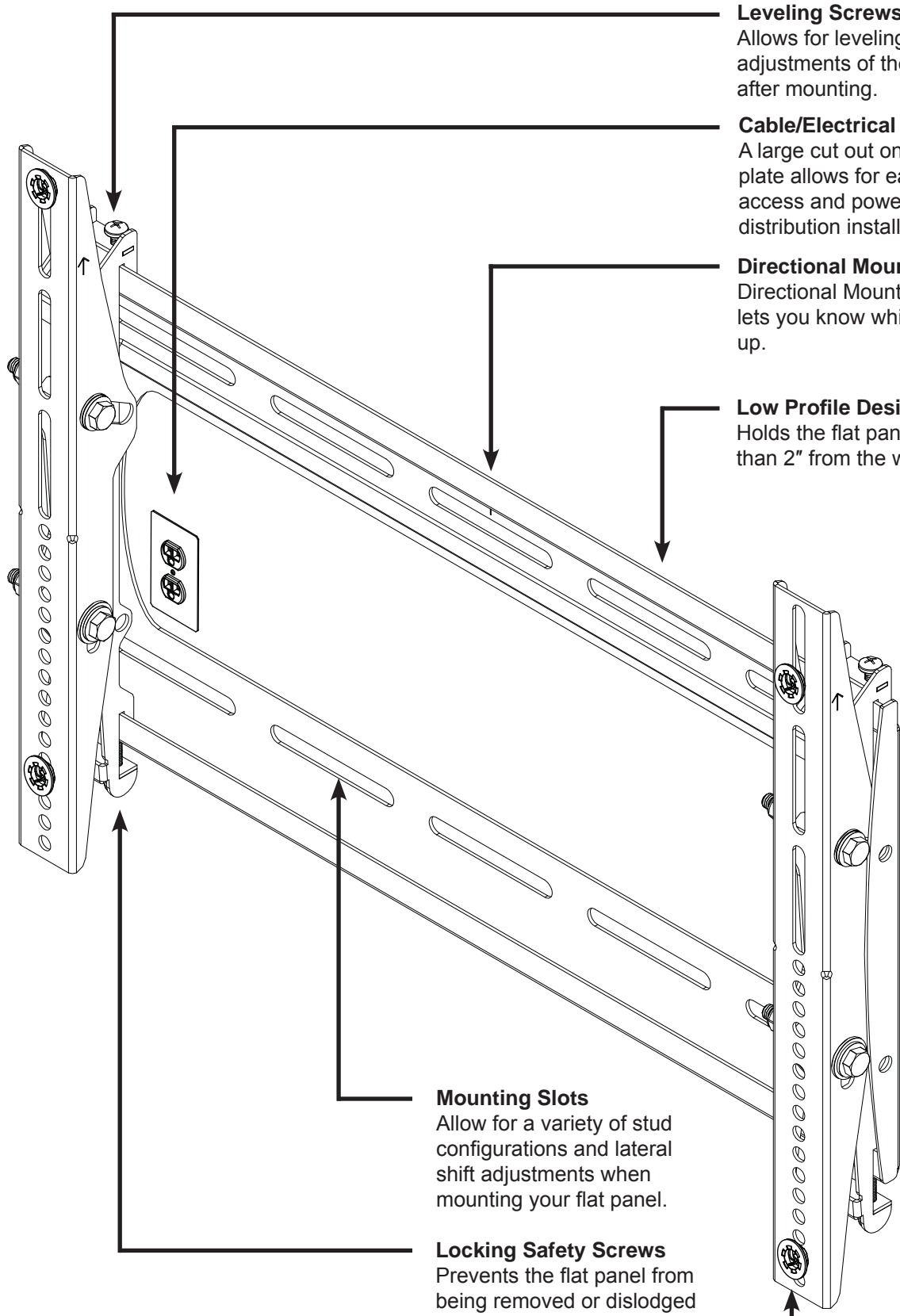
Mounting Hardware

M4 x 16mm Screw (Qty 6)	
M4 x 25mm Screw (Qty 6)	
M4 x 30mm Screw (Qty 6)	
M5 x 16mm Screw (Qty 6)	
M5 x 25mm Screw (Qty 6)	
M5 x 30mm Screw (Qty 6)	
M6 x 16mm Screw (Qty 6)	
M6 x 25mm Screw (Qty 6)	
M6 x 30mm Screw (Qty 6)	
M6 x 45mm Screw (Qty 6)	

M8 x 16mm Screw (Qty 6)	
M8 x 25mm Screw (Qty 6)	
M8 x 30mm Screw (Qty 6)	
M8 x 45mm Screw (Qty 6)	
M8 x 70mm Screw (Qty 4)	



Features



Leveling Screws
Allows for leveling adjustments of the flat panel after mounting.

Cable/Electrical Cut Out
A large cut out on the wall plate allows for easy cable access and power distribution installations.

Directional Mounting Arrow
Directional Mounting Arrow lets you know which edge is up.

Low Profile Design
Holds the flat panel less than 2" from the wall.

Mounting Slots
Allow for a variety of stud configurations and lateral shift adjustments when mounting your flat panel.

Locking Safety Screws
Prevents the flat panel from being removed or dislodged from the wall plate.

Universal Spacers
Premier Mount's uniquely designed spacers that fit multiple screw sizes.



Installing the Wall Plate

Introduction



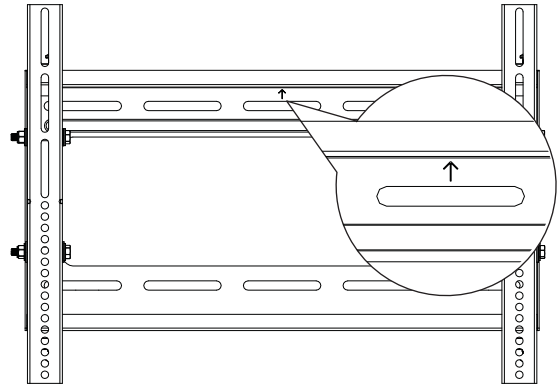
Directional Mounting Arrow

The Directional Mounting Arrow stamped into the top of the P2642T wall mount indicates which edge is the top.



Mounting Safety

Two people are recommended for the installation of this mount.

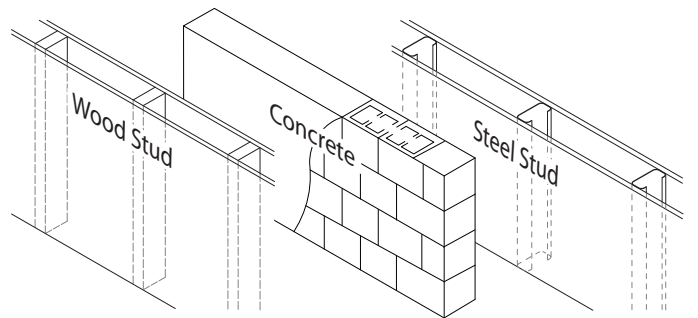


Determining the Mounting Surface

If you will be installing your P2642T mount to wood studs, proceed to the **“Wood Stud Installation”** section.

If you will be installing your P2642T mount to a concrete wall, proceed to the **“Concrete Installation”** section.

If you will be installing your P2642T mount to a steel frame, proceed to the **“Steel Stud Installation”** section.



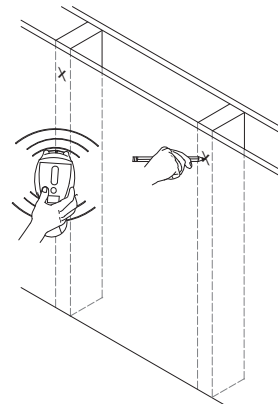
Wood Stud Installation

Step 1



You must secure the wall plate to two (2) wall studs with a minimum of four (4) lag bolts (2 lag bolts for each stud found).

- 1) Use a stud finder to determine the exact center of wall studs in the vicinity of the wall plate.
- 2) Use a pencil to mark the exact center of each of the wall studs.

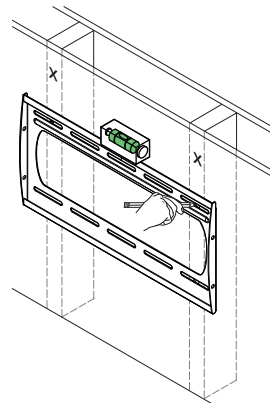


Step 2



Two people are recommended for this step; one person to level the wall plate and another person to mark the wall stud location.

- 1) Place the wall plate against the wall in the desired viewing location.
- 2) Adjust the wall plate to align the mount slots in the wall plate with the center of the wall studs.
- 3) Level the wall plate.
- 4) Use a pencil to mark the upper right mounting location along the center of the wall stud.





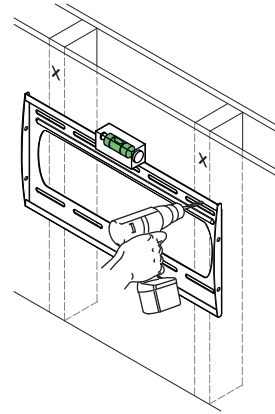
Installing the Wall Plate (cont'd)

Step 3

Drill a "pilot hole" in the center of the upper right mark using a $\frac{1}{4}$ " drill bit and power drill.



Only use a $\frac{1}{4}$ " drill bit when drilling the pilot holes.

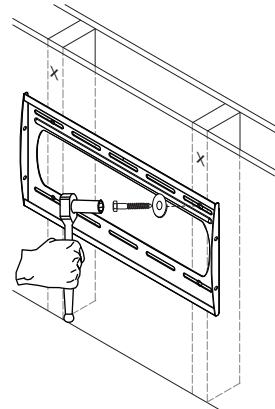


Step 4

- 1) Place the wall plate against the wall and align it with the pilot hole.
- 2) Insert one (1) $\frac{5}{16}$ " x 3" lag bolt and one (1) $\frac{5}{16}$ " washer into the upper right mounting hole and tighten using a socket wrench and $\frac{1}{2}$ " socket.

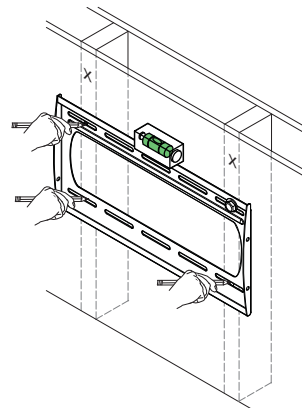


Do not overtighten the lag bolt.



Step 5

- 1) Level the wall plate.
- 2) Use a pencil to mark the remaining three (3) mounting locations along the center of each wall stud.



Step 6

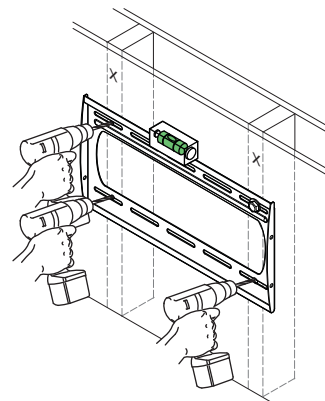


Two people are recommended for this step; one person to level the wall plate and another person to drill the pilot holes.

Drill a "pilot hole" in the center of each of the marks with a power drill and a $\frac{1}{4}$ " drill bit.



Only use $\frac{1}{4}$ " drill bit when drilling the pilot holes.






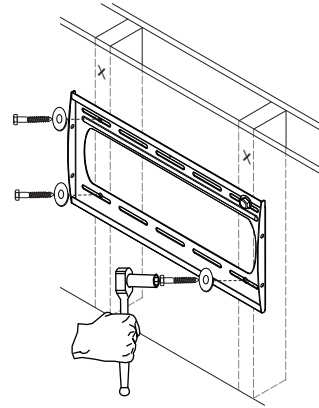
Installing the Wall Plate (cont'd)

Step 7

- 1) Insert one (1) $\frac{5}{16}$ " x 3" lag bolt and one (1) $\frac{5}{16}$ " washer into each pilot hole
- 2) Tighten all lag bolts using a socket wrench and $\frac{1}{2}$ " socket.

 Do not overtighten the lag bolts when attaching the mount to the wall. Improper installation may result in personal injury or property damage.

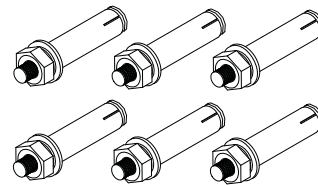
Proceed to the "Installing the Mounting Bracket" section.



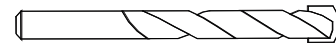
Concrete Installation

 The supplied $\frac{5}{16}$ " concrete wedge anchors must be used for concrete installation.

You will need a $\frac{5}{16}$ " masonry drill bit, which is available at your closest hardware store.




Concrete Wedge Anchors

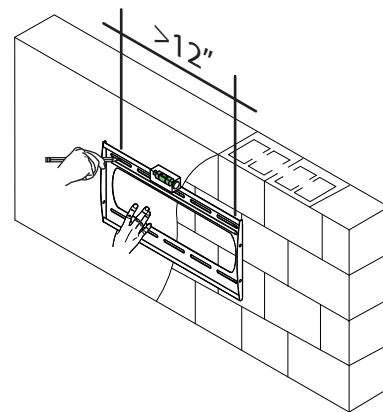


Example of $\frac{5}{16}$ " Masonry Drill Bit (Not Included)

Step 1

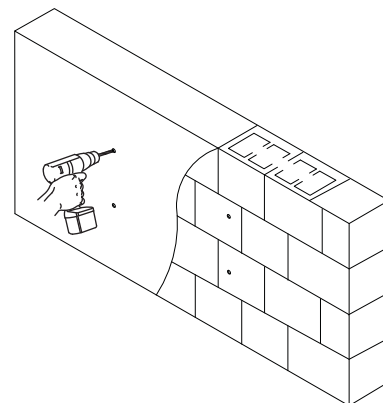
 Two people are recommended for this step; one person to level the wall plate and another person to mark the mounting locations.

- 1) Place the wall plate against the wall in the desired viewing location.
- 2) Level the wall plate.
- 3) Use a pencil and mark 2 upper and 2 lower mounting locations where you will be drilling holes for the concrete wedge anchors. Each horizontal location cannot be closer than 12" apart.
- 4) Set the wall plate to one side in a safe location.



Step 2

Use a power drill and $\frac{5}{16}$ " masonry drill bit to drill a hole at each of the marks.

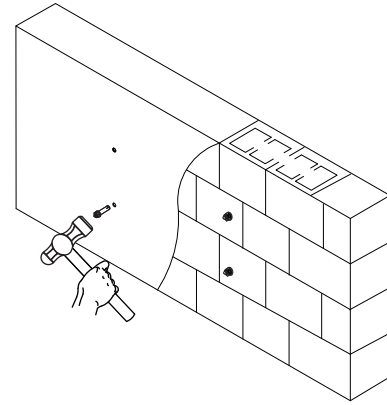




Installing the Wall Plate (cont'd)


Step 3

- 1) Insert a concrete wedge anchor into each hole.
If necessary, lightly tap each concrete wedge anchor into place with a hammer.
- 2) Remove the nuts and washers from all four (4) concrete wedge anchors.
- 3) Replace the washers which you removed from the concrete wedge anchors with the $\frac{5}{16}$ " washers shown in the parts list on Page 3.

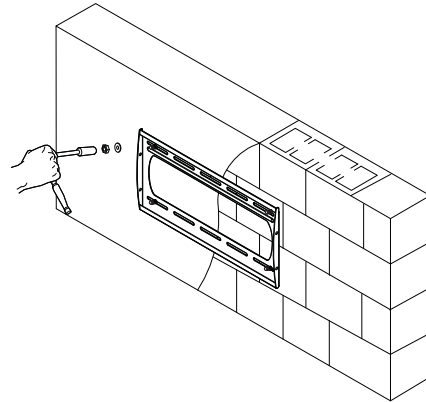


Step 4


- 1) Place the wall plate against the wall over the threaded shafts of the concrete wedge anchors.
- 2) Attach the nuts and $\frac{5}{16}$ " washers to each of the concrete wedge anchors and tighten using a socket wrench and an M10 socket.

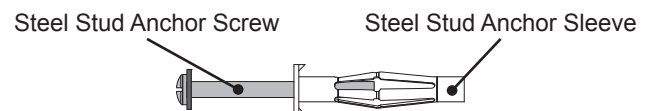
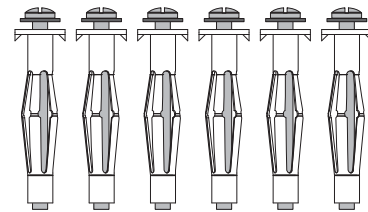
 Do not overtighten the wedge anchor nuts.

Proceed to the **"Installing the Mounting Bracket"** section.



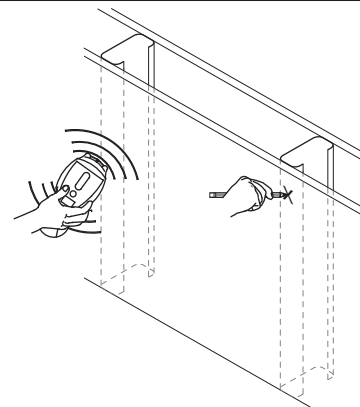
Steel Stud Installation

 The supplied M6 steel stud anchors must be used to install your Premier Mounts' mount to steel studs. Do not use lag bolts or wood screws.



Step 1

- 1) Identify the general location on the wall where you will be mounting your flat panel.
- 2) Use a stud finder to determine the exact center of each steel stud in the vicinity of the mounting location.
- 3) Use a pencil and mark the exact center of each steel stud.

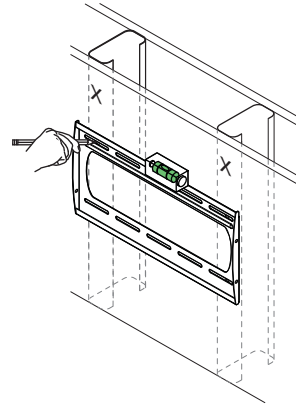




Installing the Wall Plate (cont'd)

Step 2

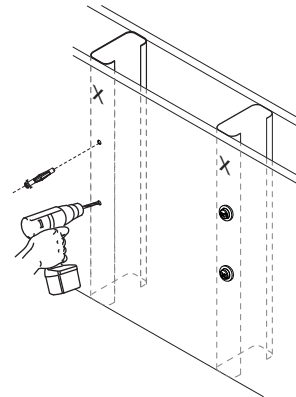
- 1) Place the wall plate against the wall in the desired viewing location.
- 2) Adjust the wall plate to match the locations of the steel studs.
- 3) Level the wall plate.
- 4) Use a pencil and mark 2 upper and 2 lower locations where you will be drilling holes for the steel stud anchors.
- 5) Set the wall plate to one side in a safe location.



Step 3


- 1) Use a power drill and $\frac{7}{16}$ " drill bit to drill a hole at each of the marks.
- 2) Insert a steel stud anchor into each hole.


If necessary, lightly tap each steel stud anchor into place with a hammer.




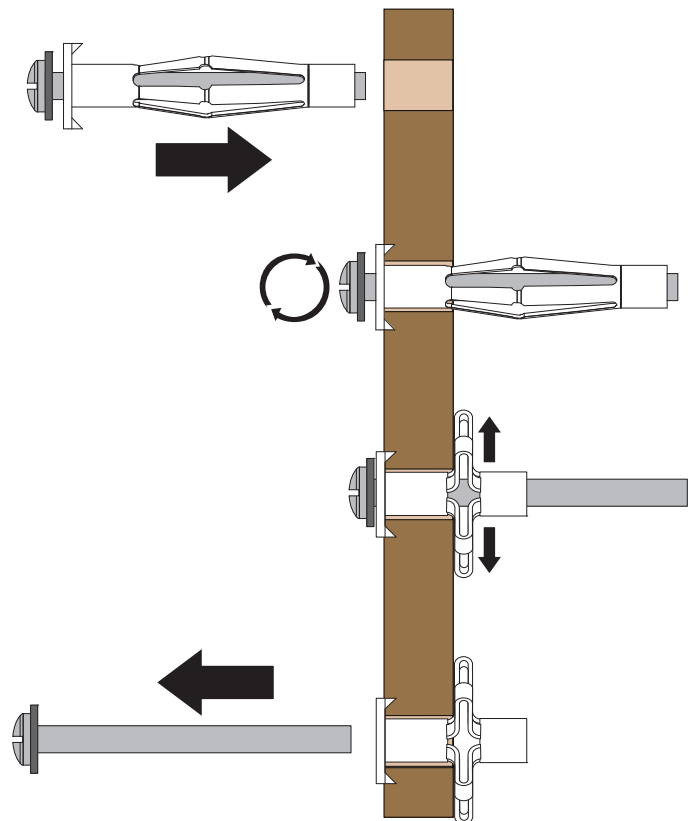
Step 4

Use a Phillips screwdriver to tighten each steel stud anchor screw until the legs have completely compressed against the back of the steel stud.

 The steel stud anchor screw will feel tight when you first begin to turn it until the legs begin to compress. The steel stud anchor screw will then turn easier for several turns. The steel stud anchor screw will again feel tight when the legs have completely compressed against the back of the drywall. Stop turning the steel stud anchor screw at that point.

 Do not overtighten the steel stud anchor screw. Remove the steel stud anchor screws and set them aside.

 Steel stud anchors may come with small paper washers. You may leave them on the screw or discard them. These small paper washers do not replace standard $\frac{5}{16}$ " washers.





Installing the Wall Plate (cont'd)

Step 5

- 1) Align the wall plate over the steel stud anchor sleeves.
- 2) Insert a steel stud anchor screw and a $\frac{5}{16}$ " washer into each steel stud anchor sleeve.
- 3) Use a Phillips screwdriver and tighten each steel stud anchor screw until it is just snug.

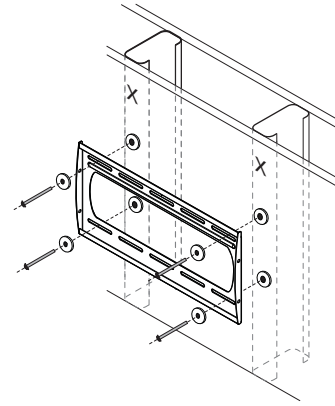


Do not overtighten the steel stud anchor screws.



Do not use a power drill to tighten the steel stud anchor screws.

Proceed to the "Installing the Mounting Bracket" section.



Installing the Mounting Bracket

Selecting the Mounting Hardware

- 1) Insert the Thread Depth Indicator into the thread inserts found on the bottom or top of the flat panel.
- 2) Use a pencil to mark the depth of the thread insert on the Thread Depth Indicator, as shown in Figure 1.
- 3) Insert the Thread Depth Indicator into the remaining thread inserts to compare and verify their depth.
- 4) Locate the correct diameter screw for the thread insert.

If the screw you selected is longer than the mark on the Thread Depth Indicator, as shown in Figure 2 and Figure 3, do not use this screw. The screw length must not bypass the mark.

- 5) Test each size of the screws provided.

The correct screws should thread easily into the mount point and not pull out when tension is applied.

Proceed to the "Universal Washer Installation" section.

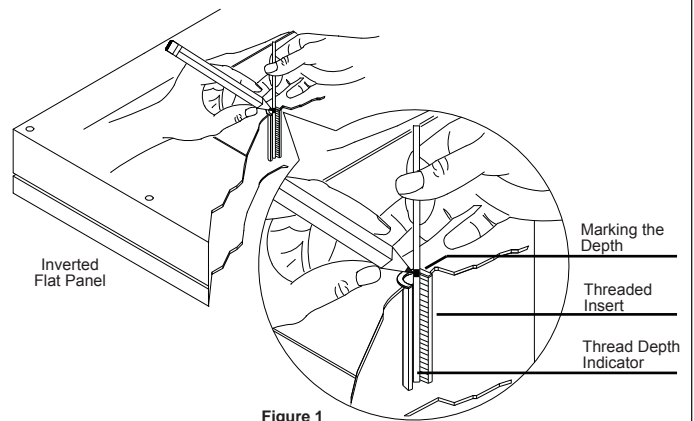


Figure 1

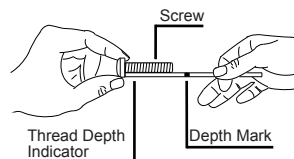


Figure 2

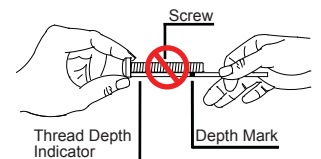


Figure 3



Installing the Mounting Bracket (cont'd)

Universal Washer Installation

Premier Mounts' Universal Washers are designed to accommodate the various M4, M5, M6 and M8 hole sizes required by flat panels.

Do not place excessive pressure on the back of the flat panel, as this may damage your flat panel.

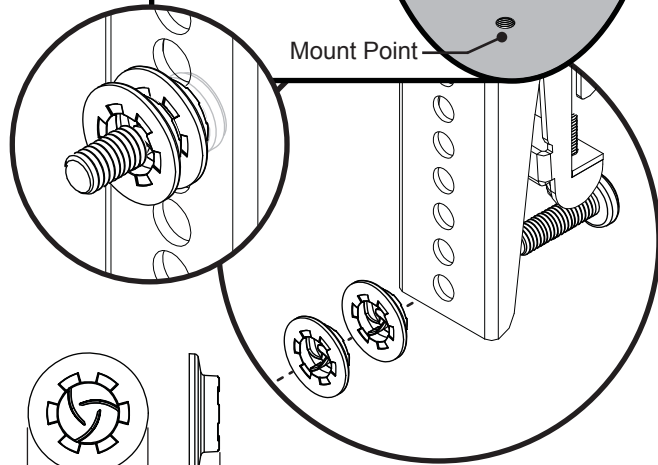
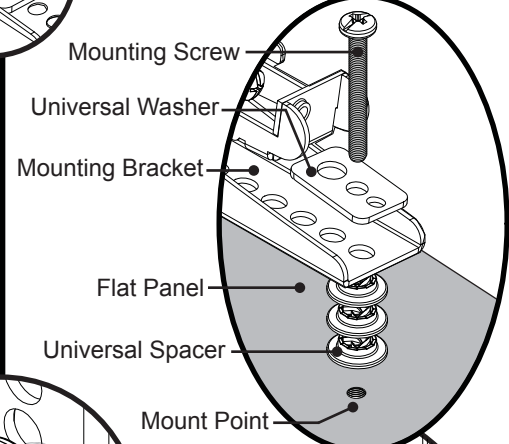
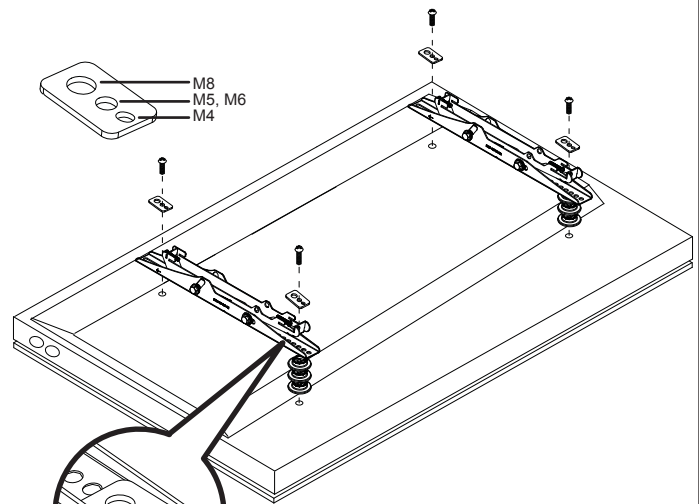
The Universal Washer must be installed between the head of the mounting screw and the mounting bracket as shown.

Does your flat panel have:

- Recessed mount points?
- Uneven mount points?
- A curved back?
- Any obstruction near the mount point?

If **Yes**, you must install Universal Spacers. Remove the mounting brackets, Universal Washers, and mounting screws from the back of the flat panel. Proceed to the **"Universal Spacer Installation"** section.

If **No**, skip to the **"Attaching the Mounting Bracket to the Flat Panel"** section.



Universal Spacer Installation

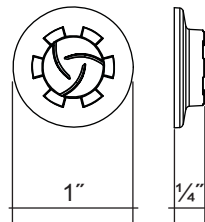
Premier Mounts' Universal Spacers allow you to attach the mounting bracket to flat panels which have recessed or uneven mount points. Each Universal Spacer adds 1/4" to the distance between the mounting bracket and your flat panel.

The Universal Spacers must be stacked and oriented as shown.

The Universal Spacers must only be installed between the mounting bracket and your flat panel.

The Universal Spacers will fit M4, M5, M6 and M8 screw sizes.

Proceed to the **"Attaching the Mounting Bracket to the Flat Panel"** section.






Installing the Mounting Bracket (cont'd)

Attaching the Mounting Bracket to the Flat Panel

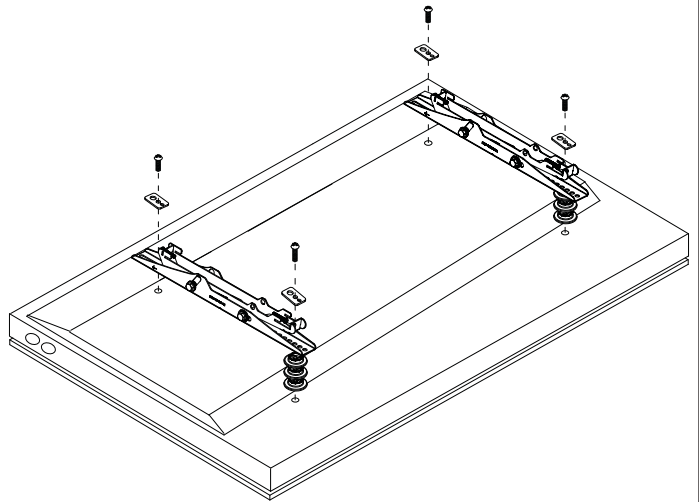
This section presumes that you have read and understood these sections:

- Selecting the Proper Mounting Hardware
- Universal Washer Installation
- Universal Spacer Installation


- 1) Place your flat panel screen-side down on a soft, flat surface.
- 2) Identify the number and location of the thread inserts on the back of your flat panel.
- 3) Aligning the holes on each mounting bracket with the thread inserts on the back of your flat panel.
- 4) Secure each mounting bracket to your flat panel by inserting a minimum of two (2) screws per bracket.


 Do not overtighten the mounting hardware.

Proceed to the “**Attaching the Flat Panel to the Wall Plate**” section.



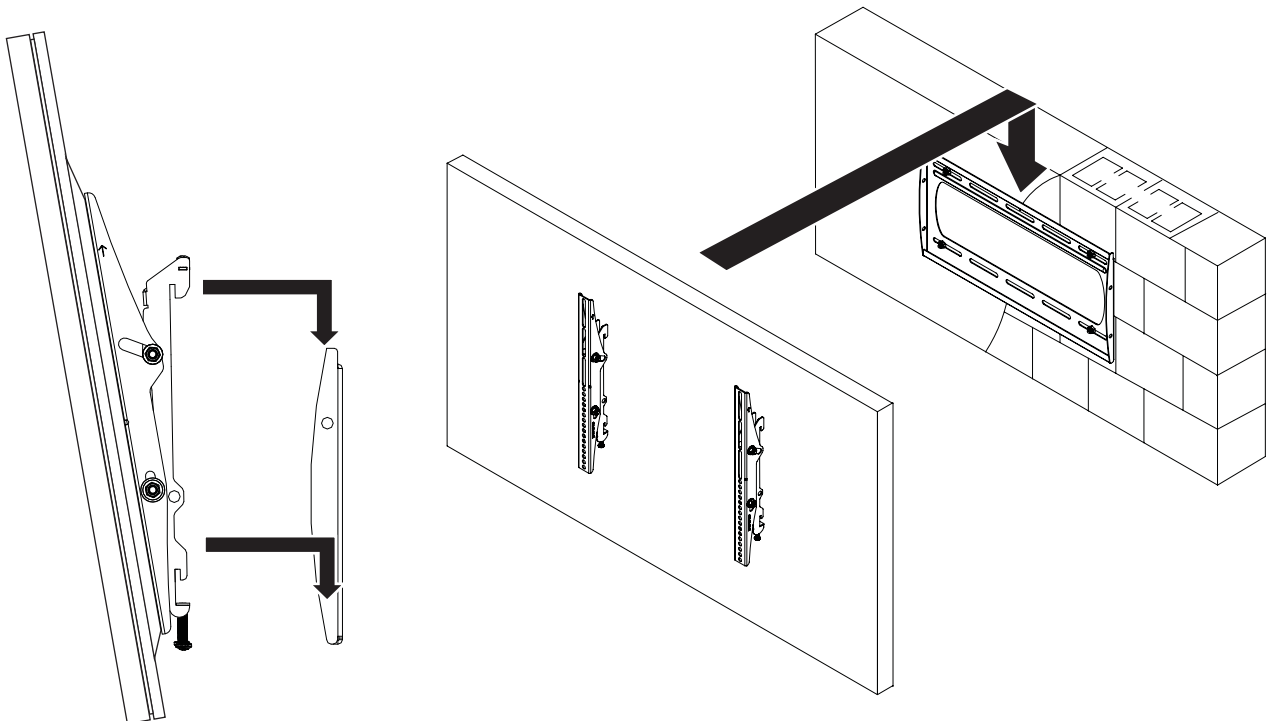
Attaching the Flat Panel to the Wall Plate

 This section requires two people.

 Do not release your flat panel until you are certain that top and bottom hooks of both mounting brackets are securely seated on the upper and lower mounting rails of the wall panel.

- 1) Raise the flat panel past the top and bottom mounting rails on the wall panel.
- 2) Slide the flat panel down slowly, keeping it close to the wall.
- 3) Engage the top and bottom mounting brackets to the rails of the wall plate.

Proceed to the “**Mounting Bracket Adjustments**” section.





Mounting Bracket Adjustments

Leveling Screw Adjustment

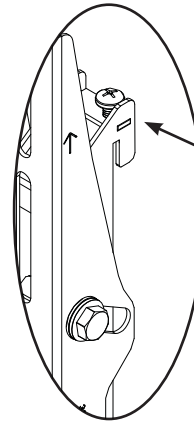
If your flat panel is tilted too far to one side, the leveling screws will allow you compensate for this tilt by simply adjusting the screws with a screwdriver.

- 1) Loosen both locking screws.
- 2) Adjust the tilt of your flat panel.
- 3) Tighten both locking screws.



Caution!

It is possible to dislodge your flat panel while you level your flat panel. Use extreme caution until you tighten the locking screws.



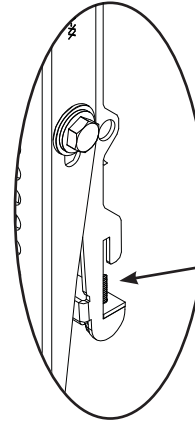
M6 x 30mm Leveling Screw (1 per Bracket)

Locking Screw Adjustment

After you have finished leveling your flat panel, be sure to tighten the two (2) M6 x 30mm locking screws.



Do not overtighten the locking screws.



M6 x 30mm Locking Screw (1 per Bracket)

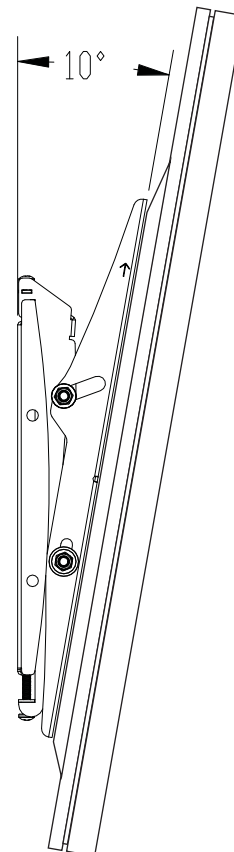
Tilt Adjustment

Adjusting the Flat Panel Friction Tilt Angle

- 1) Place one hand at the center top edge of the flat panel.
- 2) Place the other hand on the center bottom edge of the flat panel.
- 3) Using the upper hand, gently pull the top of the flat panel towards you while the lower hand gently pushes the bottom of the flat panel away from you.

Adjusting the Flat Panel to the Original Position

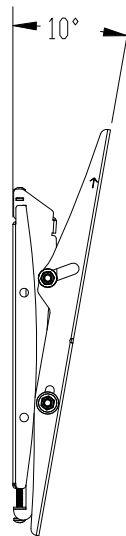
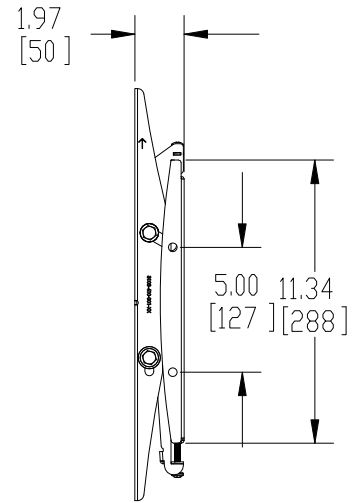
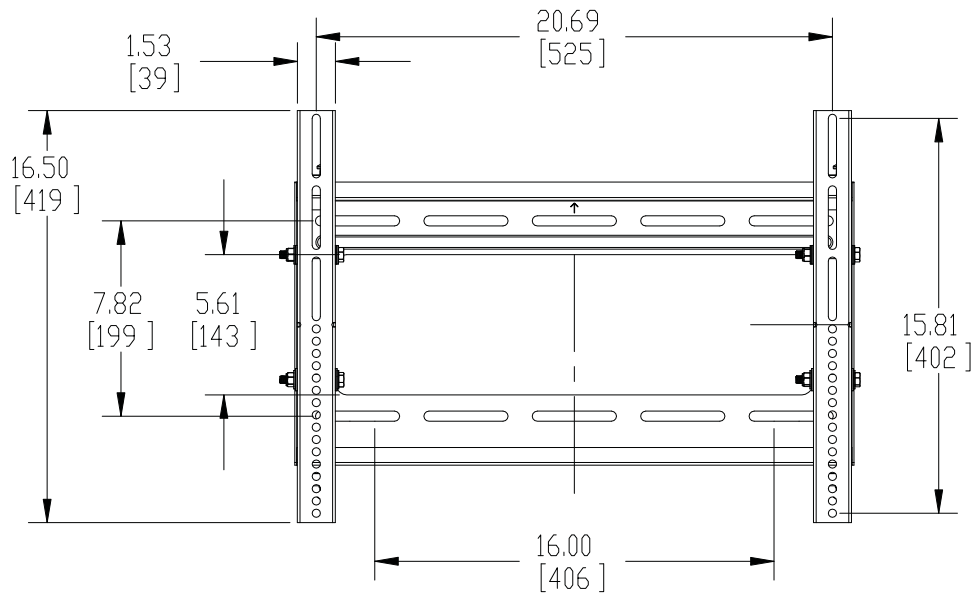
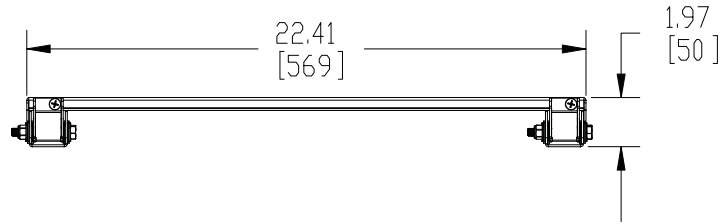
- 1) Place one hand at the center top edge of the flat panel.
- 2) Place the other hand on the center bottom edge of the flat panel.
- 3) Using the upper hand, gently push the top of the flat panel towards the wall while the lower hand gently pulls the bottom of the flat panel away from the wall.





Technical Specifications

All measurements are in inches [millimeters].



**PREMIER MOUNTS
LIMITED LIFETIME WARRANTY****What and Who is Covered by this Limited Warranty and for How Long**

Premier Mounts warrants this product to be free from defects in material and workmanship for the lifetime of the original owner of this product. The limited warranty is valid only for the original purchaser of the product.

What Premier Mounts Will Do

At the sole option of Premier Mounts, Premier Mounts will repair or replace any product or product part that is defective. If Premier Mounts chooses to replace a defective product or part, a replacement product or part will be shipped to you at no charge, but you must pay any labor costs.

What is Not Covered; Limitations

PREMIER MOUNTS DISCLAIMS ANY LIABILITY FOR DAMAGE TO MOUNTS, ADAPTERS, DISPLAYS, PROJECTORS, OTHER PROPERTY, OR PERSONAL INJURY RESULTING, IN WHOLE OR IN PART, FROM IMPROPER INSTALLATION, MODIFICATION, USE OR MISUSE OF ITS PRODUCTS.

PREMIER MOUNTS DISCLAIMS ALL OTHER WARRANTIES, EXPRESS OR IMPLIED, INCLUDING WARRANTIES OF MERCHANTABILITY AND FITNESS FOR A PARTICULAR PURPOSE. PREMIER MOUNTS IS NOT RESPONSIBLE FOR INCIDENTAL OR CONSEQUENTIAL DAMAGES, INCLUDING BUT NOT LIMITED TO, INABILITY TO USE ITS PRODUCTS OR LABOR COSTS FOR REMOVING AND REPLACING DEFECTIVE PRODUCTS OR PARTS. SOME STATES DO NOT ALLOW THE EXCLUSION OR LIMITATION OF INCIDENTAL OR CONSEQUENTIAL DAMAGES, SO THE ABOVE LIMITATION OR EXCLUSION MAY NOT APPLY TO YOU.

What Customers Must Do for Limited Warranty Service

If you discover a problem that you think may be covered by the warranty you **MUST REPORT** it in writing to the address below within thirty (30) days. Proof of purchase (an original sales receipt) from the original consumer purchaser must accompany all warranty claims. Warranty claims must also include a description of the problem, the purchaser's name, address, and telephone number. General inquiries can be addressed to Premier Mounts Customer Service at 1-800-368-9700. Warranty claims will not be accepted over the phone or by fax.

Premier Mounts
Attn: Warranty Claim
3130 East Miraloma Ave.
Anaheim, CA 92806

How State Law Applies

THIS WARRANTY GIVES YOU SPECIFIC LEGAL RIGHTS, AND YOU MAY ALSO HAVE OTHER RIGHTS WHICH VARY FROM STATE TO STATE.

Disclaimer

Premier Mounts intends to make this manual accurate and complete. However, Premier Mounts makes no claim that the information contained herein covers all details, conditions or variations, nor does it provide for every possible contingency in connection with the installation or use of this product. The information contained in this document is subject to change without notice or obligation of any kind. Premier Mounts makes no representation of warranty, expressed or implied, regarding the information contained herein. Premier Mounts assumes no responsibility for accuracy, completeness or sufficiency of the information contained in this document.